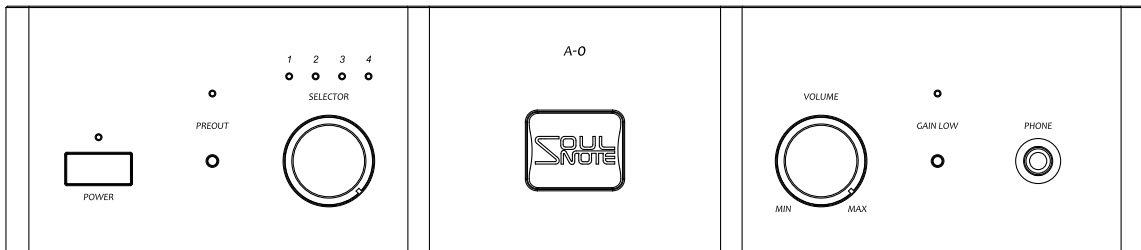


# A-0 ver.2 T User Guide

---

## INTEGRATED AMPLIFIER



## Table of Contents

Safety Precautions.....	3
Front Panel Names and Functions .....	6
Rear Panel Names and Functions.....	7,8
Balanced Input/Output.....	9
Attaching the Spike Pins.....	9
Troubleshooting.....	10
Maintenance .....	10
Specifications.....	11

### Supplied Accessories

• User Guide (this manual) .....	1	• Spike pin .....	3
• Power cable .....	1	• Hex key for spike pins .....	1

## Safety Precautions



### CAUTION

RISK OF ELECTRIC SHOCK  
DO NOT OPEN



CAUTION: TO REDUCE THE RISK OF ELECTRIC SHOCK, DO NOT REMOVE COVER (OR BACK). NO USER-SERVICEABLE PARTS INSIDE. REFER SERVICING TO QUALIFIED SERVICE PERSONNEL.



The lightning flash with arrowhead symbol, within an equilateral triangle, is intended to alert the user to the presence of uninsulated “dangerous voltage” within the product’s enclosure that may be of sufficient magnitude to constitute a risk of electric shock to persons.



The exclamation point within an equilateral triangle is intended to alert the user to the presence of important operating and maintenance (servicing) instructions in the literature accompanying the product.

### WARNING

TO REDUCE THE RISK OF FIRE OR ELECTRIC SHOCK, DO NOT EXPOSE THIS APPLIANCE TO RAIN OR MOISTURE.

A warning that an apparatus with CLASS I construction shall be connected to a MAINS socket outlet with a protective earthing connection.

# IMPORTANT SAFETY INSTRUCTIONS

## READ BEFORE OPERATING EQUIPMENT

This product was designed and manufactured to meet strict quality and safety standards. There are, however, some installation and operation precautions which you should be particularly aware of.

1. Read these instructions.
2. Keep these instructions.
3. Heed all warnings.
4. Follow all instructions.
5. Do not use this apparatus near water.
6. Clean only with dry cloth.
7. Do not block any ventilation openings.  
Install in accordance with the manufacturer's instructions.
8. Do not install near any heat sources such as radiators, heat registers, stoves, or other apparatus (including amplifiers) that produce heat.
9. Protect the power cord from being walked on or pinched particularly at plugs, convenience receptacles, and the point where they exit from the apparatus.
10. Only use attachments/accessories specified by the manufacturer.
11. Use only with the cart, stand, tripod, bracket, or table specified by the manufacturer, or sold with the apparatus. When a cart is used, use caution when moving the cart/apparatus combination to avoid injury from tip-over.
12. Unplug this apparatus during lightning storms or when unused for long periods of time.
13. Refer all servicing to qualified service personnel. Servicing is required when the apparatus has been damaged in any way, such as power-supply cord or plug is damaged, liquid has been spilled or objects have fallen into the apparatus, the apparatus has been exposed to rain or moisture, does not operate normally, or has been dropped.
14. Batteries shall not be exposed to excessive heat such as sunshine, fire or the like.



### CAUTION:

- To completely disconnect this product from the mains, disconnect the plug from the wall socket outlet. The mains plug is used to completely interrupt the power supply to the unit and must be within easy access by the user.
- Never use the unit with any other cord except the supplied power cord.

### NOTE ON USE

#### WARNINGS

- Avoid high temperatures.  
Allow for sufficient heat dispersion when installed in a rack.
- Handle the power cord carefully.  
Hold the plug when unplugging the cord.
- Keep the unit free from moisture, water, and dust.
- Unplug the power cord when not using the unit for long periods of time.
- Do not obstruct the ventilation holes.
- Do not let foreign objects into the unit.
- Do not let insecticides, benzene, and thinner come in contact with the unit.
- Never disassemble or modify the unit in any way.
- Ventilation should not be impeded by covering the ventilation openings with items, such as newspapers, tablecloths or curtains.
- Naked flame sources such as lighted candles should not be placed on the unit.
- Observe and follow local regulations regarding battery disposal.
- Do not expose the unit to dripping or splashing fluids.
- Do not place objects filled with liquids, such as vases, on the unit.
- Do not handle the mains cord with wet hands.
- When the switch is in the OFF position, the equipment is not completely switched off from MAINS.
- The equipment shall be installed near the power supply so that the power supply is easily accessible.

### DECLARATION OF CONFORMITY

We declare under our sole responsibility that this product, to which this declaration relates, is in conformity with the following standards:

EN60065, EN55032, EN55020.

Following the provisions of Low Voltage Directive 2014/35/EU and EMC Directive 2014/30/EU.

### A NOTE ABOUT RECYCLING:

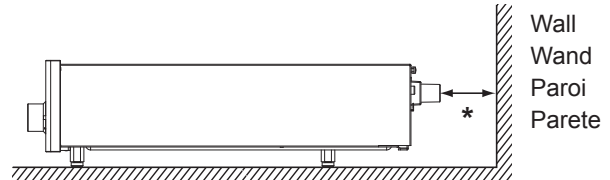
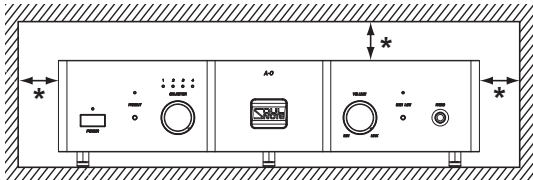
This product's packaging materials are recyclable and can be reused. Please dispose of any materials in accordance with the local recycling regulations. When discarding the unit, comply with local rules or regulations.

Batteries should never be thrown away or incinerated but disposed of in accordance with the local regulations concerning battery disposal. This product and the supplied accessories, excluding the batteries, constitute the applicable product according to the WEEE directive.



Pb

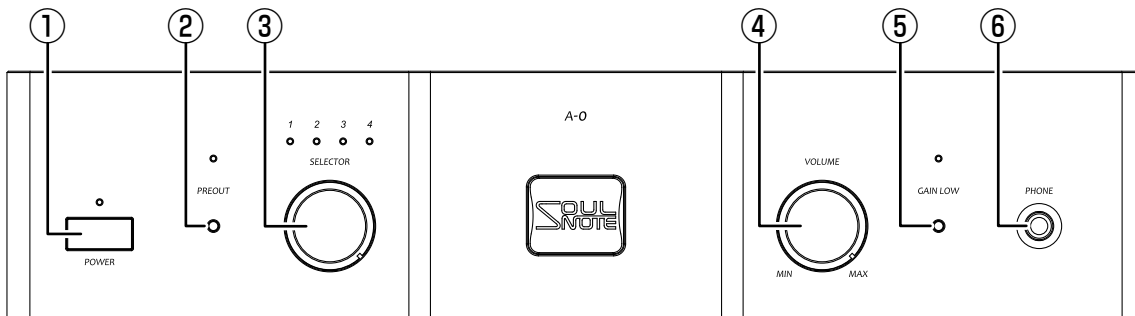
### CAUTIONS ON INSTALLATION



**\* For proper heat dispersal, do not install this unit in a confined space, such as a bookcase or similar enclosure.**

- Leave sufficient clearance (at least 10 cm) from the wall, (at least 5 cm) from top surface of the unit.
- Do not place any other equipment on this unit.

# Front Panel Names and Functions



## ① Power Switch (POWER)

Press to turn on the power, and press again to turn off. Sound is output after approx. 4 seconds have passed since the power switch is turned on.

## ② Pre-out Button (PREOUT)

Press to output to PREOUT. When the output is switched, the PRE OUT indicator lights up. Press again to disable the PREOUT output.

### Note:

- When the SPEAKER ON/OFF switch on the rear panel is OFF, pressing the PREOUT switch disables the speaker output.

## ③ Input Selector (SELECTOR)

Select one of the input sources connected to the audio input terminals (INPUT) on the rear panel.

## ④ Volume Selector (VOLUME)

Adjust the volume. Turn the dial clockwise to increase the volume.

## ⑤ Gain Low Button (GAIN LOW)

Press to lower the gain by 14 dB, lowering the volume without operating the volume settings. When the Gain Low setting is changed, the GAIN LOW indicator lights up. Press again to change the setting back to the normal gain.

### Notes:

- Use this button if you notice a difference in volume between the left and right channels of your speakers or headphones at low volume.
- Use this button to attenuate audio signals at the pre-amplification stage. This button is independent from the PREOUT GAIN switch on the rear panel with which you can attenuate audio signals at the power amplification stage.

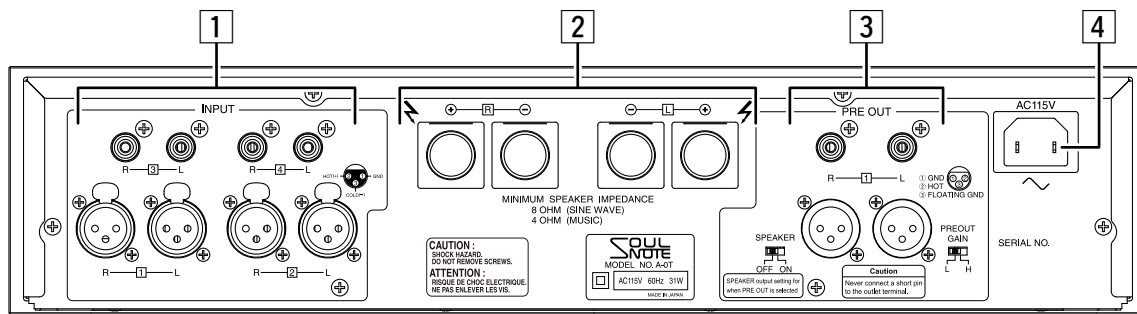
## ⑥ Headphone Output Terminal (Phones)

Connect headphones to these terminals. While headphones are connected, no sound is output from the speaker or pre-out. Adjust the volume using the Volume Selector (VOLUME).

### Notes

Insert the headphone jack all the way in. When inserting/disconnecting the headphone jack, be sure to turn the volume down to the lowest setting.

# Rear Panel Names and Functions



## 1 Audio Input Terminals (INPUT)

These terminals are used to input audio signals.

### Note:

- When connecting a connector cable to the input terminal, turn off the power or use the Volume Selector (VOLUME) to turn down the volume to the lowest setting.

## 2 Speaker Terminals (SPEAKER)

These terminals are used for speaker connections.

### Notes:

- If you connect 8-ohm or lower impedance speakers and/or low-efficiency speakers, the protection circuit activates causing sound interruption when the volume is high. When this happens, turn the volume down slightly.
- Turn off the power before connecting a cable to the input terminal or the speaker terminal, or before reconnecting speakers that are connected via speaker cables.
- Due to the superior frequency characteristic of the main unit, DO NOT connect any devices other than speakers. Connecting a speaker selector or measuring equipment causes a high-frequency connection of the input GND and the output GND, which may result in protection circuit activation or malfunction of the main unit.
- Whenever possible, keep the speaker cables and input cable apart from each other.
- While each of output terminals consist of the ⊕ (red) and ⊖ (black) polarities, speaker systems also have the ⊕ and ⊖ polarities. Be sure to connect ⊕ and ⊖ to ⊖.

## 3 Pre-out Terminals (PRE OUT)

These pre-out output terminals are linked with volume. Use these terminals to connect with other power amplifiers.

### Note:

- Do not connect these terminals with the audio input terminals of this product. Also, do not use these terminals to connect this product to recording devices and the like with dual-monitoring capabilities.
- The Pre-out XLR terminal has pin 1 = GND and pin 2 = HOT. Pin 3 is the floating GND which cancels external noise.

## 4 AC Inlet (AC115V)

Connect to a 115 V AC wall outlet (mains) with the supplied power cable.

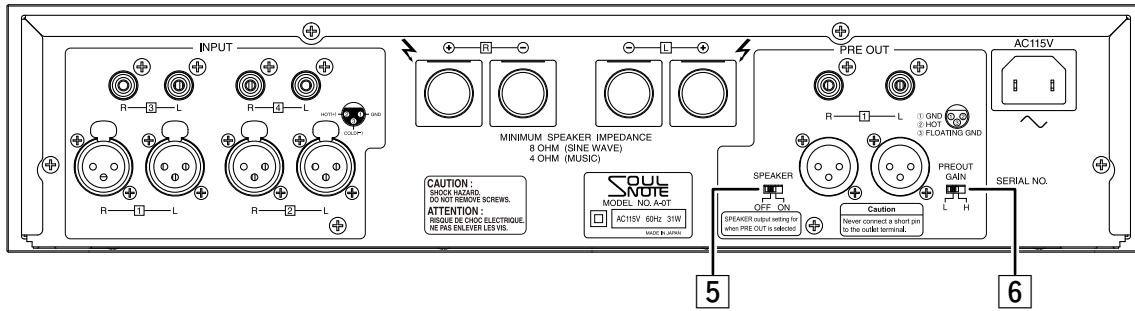
### Notes:

- To maintain the audio quality, use the supplied power cable.
- Firmly insert the power cable into the end of the AC inlet.

### ⚠ Cautions

- **Do not use any electrical contact cleaner or the like in the AC inlet area.**

# Rear Panel Names and Functions



## 5 Pre-out Speaker ON/OFF Switch (SPEAKER)

After turning on the Pre-out button on the front panel, make sure that the switch is either slid to ON if you also want to output sound from speakers, or slid to OFF if you do not want to output sound from speakers.

## 6 Pre-out Gain Switch (PREOUT GAIN)

Use this switch to set pre-out gain on the output side of the power amplification stage.

H: Outputs at the same decibel level as the sound that the amplifier outputs. Slide the switch to H to achieve higher audio quality.

L: Attenuates the sound that the amplifier outputs by -16dB. Slide the switch to L when the gain of the power amplifier is high.

### Note:

- This switch is independent from the Gain Low button on the front panel which attenuates audio signals on the amplifier input side.

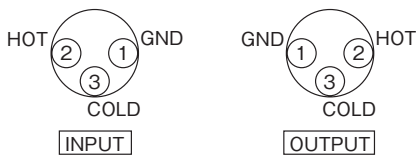
## Balanced Input/Output

The XLR Connector is used for Balanced Input/Output. There are two types of connection, “European Type” and “USA Type”.

This unit adopts European Type of XLR connector. If the connecting equipment has the “USA Type” of XLR then audio signal becomes antiphase. In this case, swap pin 2 and pin 3 of XLR connector (INPUT or OUTPUT) to work same as European Type.

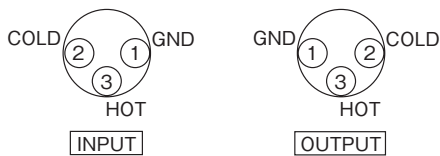
### 1. European Type (adapter for this unit)

(pin 2 = HOT, pin 3 = COLD)



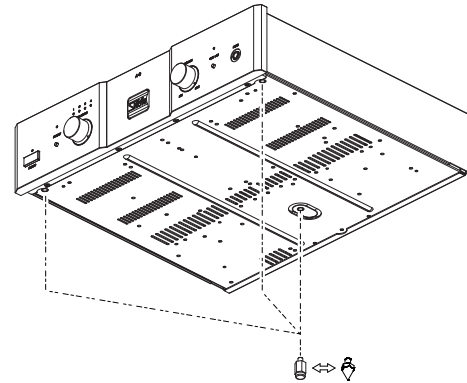
### 2. USA Type

(pin 2 = COLD, pin 3 = HOT)



## Attaching the Spike Pins

By replacing the feet with the supplied spike pins, you can tune the audio quality. Point grounding makes the sound focus and auditory lateralization sharper. Furthermore, the audio quality can be subtly tuned by changing the material of the surface on which this equipment is installed.



### ⚠ Cautions

- When using the spike pins, be extremely careful not to get injured, etc.
- Be careful so that the surface on which the unit is installed such as the surface of a table or a shelf does not become damaged.

## Troubleshooting

### No sound is output.

- Check that the power of the main unit is on.
- Check that the appropriate input source is selected.
- Check the connections of the external devices.
- Check that the power of the external devices is on.
- Check that the operations and settings on the external devices are correct.
- Check the connections of the speaker system.

## Maintenance

When the unit has become dirty, wipe it clean using a soft cloth. To remove stubborn stains, dilute some neutral dish-washing liquid in 5 or 6 times as much water, soak a soft cloth in the solution, wring it out well, wipe away the stains, and then wipe the surfaces dry with a dry cloth.

Never use alcohol, paint thinners, benzene, insecticides or other volatile substances since they may mar or remove the surface gloss.

Bear in mind that rubbing surfaces with a chemical cleaning cloth or leaving such a cloth in contact with a surface for an extended time may result in deterioration.

## Specifications

### Rated output

Speaker ..... 10 W x2 (8 $\Omega$ )

Headphones ..... 3 W x2 (32 $\Omega$ )

Pe-out ..... 2 V (10k $\Omega$ )

### Total harmonic distortion

Speaker ..... 0.2% (10 Hz to 100 kHz, 3.3 W, 8 $\Omega$ )

Headphones

..... 0.03% (10 Hz to 100 kHz, 200 mV, 32 $\Omega$ )

Pe-out ..... 0.01% (10 Hz to 100 kHz, 2 V, 10k $\Omega$ )

### Frequency characteristic

Speaker ..... 5 Hz to 350 kHz (+0/1 dB, 1 W, 8 $\Omega$ )

Headphones

..... 5 Hz to 400 kHz (+0/1 dB, 200 mW, 32 $\Omega$ )

Pe-out ..... 5 Hz to 400 kHz (+0/1 dB, 2.0 V, 10k $\Omega$ )

### Input sensitivity

..... LINE1, 2 0.66 V/10k $\Omega$  (H)  
4.0 V/50k $\Omega$  (L)

..... LINE3, 4 0.66 V/5k $\Omega$  (H)  
4.2 V/25k $\Omega$  (L)

Total gain ..... 22 dB (H)/ 8 dB (L)

S/N ratio ..... 115 dB (IHF A network)

Power voltage ..... 115 V AC , 60 Hz

Power consumption ..... 31 W (J60065)  
20 W (during idling)

### Maximum external dimensions

430 (W) x 109 (H) x 418 (D) mm

Weight ..... 8.0 kg



SOULNOTE, Inc.

<https://www.soulnote.link/>